

# Technical data sheet

## Product features



### Substructure freezer electric GN 1/1 without plate 2x1 drawers stainless steel

<b>Model</b>	<b>SAP Code</b>	00012022
--------------	-----------------	----------



- Material: AISI 304
- GN / EN size in device: GN 1/1
- Number of GN / EN: 2
- Control type: Digital
- Minimum device temperature [°C]: -10
- Maximum device temperature [°C]: -24
- Max ambient temperature [°C]: 40
- Insulation thickness [mm]: 50
- Unit: Right
- Automatic defrost: Yes

<b>SAP Code</b>	00012022	<b>Chamber volume [l]</b>	86
<b>Net Width [mm]</b>	1200	<b>Number of GN / EN</b>	2
<b>Net Depth [mm]</b>	685	<b>GN / EN size in device</b>	GN 1/1
<b>Net Height [mm]</b>	575	<b>Minimum device temperature [°C]</b>	-10
<b>Net Weight [kg]</b>	84.00	<b>Maximum device temperature [°C]</b>	-24
<b>Power electric [kW]</b>	0.353	<b>Refrigerant</b>	R290
<b>Loading</b>	230 V / 1N - 50 Hz	<b>Climate class</b>	5
<b>Energy class</b>	G		

# Technical data sheet

Technical drawing

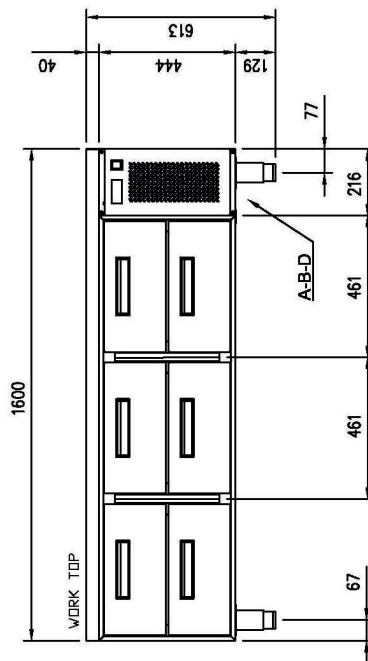
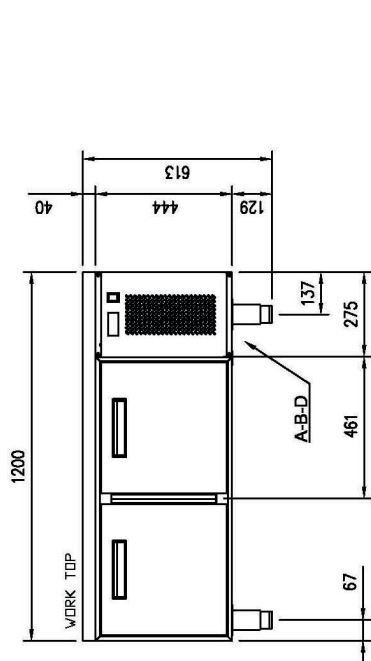
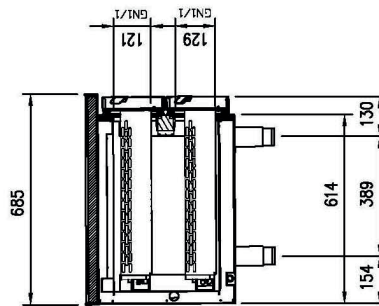
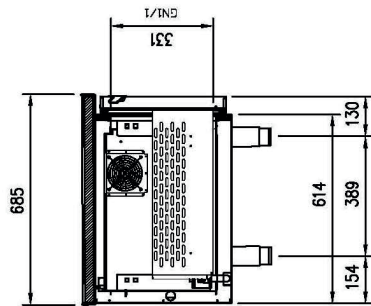


Substructure freezer electric GN 1/1 without plate 2x1 drawers stainless steel

Model

SAP Code

00012022



A= ELECTRICAL CONNECTION  
 B= GAS CONNECTION ø8 ø10  
 D= WATER DISCHARGE ø20 (M)

# Technical data sheet

Technical parameters



## Substructure freezer electric GN 1/1 without plate 2x1 drawers stainless steel

Model	SAP Code	00012022
-------	----------	----------

**1. SAP Code:**

00012022

**2. Net Width [mm]:**

1200

**3. Net Depth [mm]:**

685

**4. Net Height [mm]:**

575

**5. Net Weight [kg]:**

84.00

**6. Gross Width [mm]:**

1220

**7. Gross depth [mm]:**

705

**8. Gross Height [mm]:**

700

**9. Gross Weight [kg]:**

99.20

**10. Device type:**

Electric unit

**11. Power electric [kW]:**

0.353

**12. Loading:**

230 V / 1N - 50 Hz

**13. Energy class:**

G

**14. Refrigerant:**

R290

**15. Material:**

AISI 304

**16. Exterior color of the device:**

Stainless steel

**17. Max ambient temperature [°C]:**

40

**18. Device properties 2:**

Freezing

**19. GN / EN size in device:**

GN 1/1

**20. Number of internal parts:**

2

**21. Number of GN / EN:**

2

**22. Chamber volume [l]:**

86

**23. Insulation thickness [mm]:**

50

**24. Unit:**

Right

**25. Control type:**

Digital

**26. Annual energy consumption [kWh]:**

3133

**27. Minimum device temperature [°C]:**

-10

**28. Maximum device temperature [°C]:**

-24

# Technical data sheet

Technical parameters



## Substructure freezer electric GN 1/1 without plate 2x1 drawers stainless steel

**Model**

**SAP Code**

00012022

**29. Automatic defrost:**

Yes

**32. Climate class:**

5

**30. Gross Volume [m3]:**

0.602

**33. Cross-section of conductors CU [mm<sup>2</sup>]:**

0,5

- Výkon (kW): 2,4-3,3 (230 V)

**31. Net Volume [m3]:**

0.473